

L1152

安装之前 Before installation

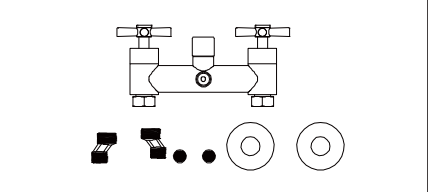
所有的资料是随最新的产品资料编写而成。
 Weiyesanitary ware Co., Ltd reserves the right to change the product features, packaging or type of offering without notice at any time.

所有资料仅供参考，不作为法律依据。
 All information is based on the latest product information. Weiyesanitary ware Co., Ltd reserves the right to change the product features, packaging or type of offering without notice at any time.

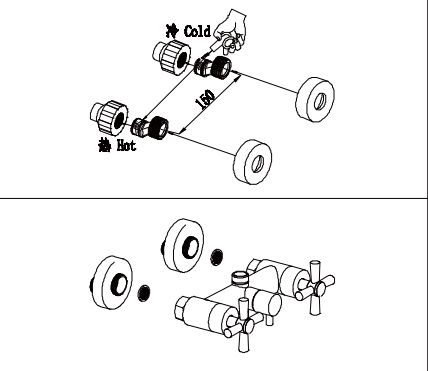
说明书包含重要的安装、保养及清洁方面的内容，请仔细阅读。
 Instructions include important installation, maintenance and cleaning aspects. Please submit these information to the user for reading.

注意事项：
 NOTES:
 1. 安装前请冲洗供水管以清除管道中的杂质。
 1. Flush the water supply pipes thoroughly to remove debris.
 2. 检查供水管有无损坏、堵塞等，如有必要，请更换。
 2. Inspect the supply pipes if broken or not. If necessary, please replace it.
 3. 遵守当地给排水安装系统。
 3. Comply local plumbing codes.

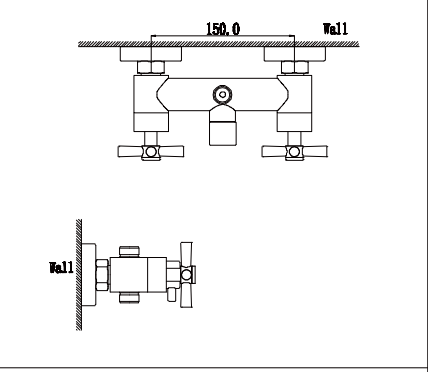
产品包装部件 Product packaging spare parts



安装步骤 Installation steps

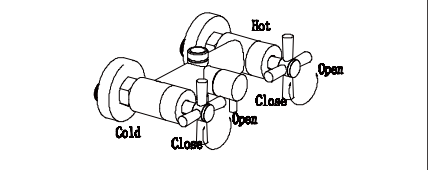


安装尺寸 Installation dimension

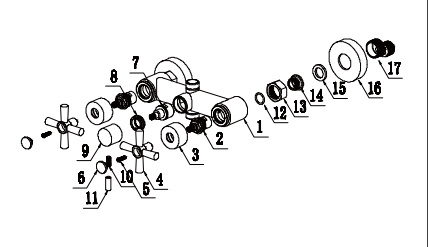


使用说明 Instructions

开关龙头及冷热水操作如下图所示
 Faucet Switch and cold and hot water operation are shown below.



零件图 Part drawing



序号	名称	序号	名称	Number	Name	Number	Name
1	主体	10	内六角螺丝	1	Faucet body	10	Hexagon Socket Screw
2	快开阀芯	11	手轮棒	2	Fast opening valve core	11	Handwheel bar
3	装饰罩	12	密封圈	3	Decoration cover	12	Seal ring
4	手轮	13	螺帽	4	Handwheel	13	Screw Nuts
5	锁紧螺丝	14	进水接头	5	Locking screw	14	Water inlet joints
6	装饰帽	15	滤网垫片	6	Decorative cap	15	Rubber Gasket With Mesh
7	流量阀	16	装饰罩	7	Flow valve	16	Decoration cover
8	压帽	17	接头	8	Pressing cap	17	Joints
9	手轮			9	Handwheel		