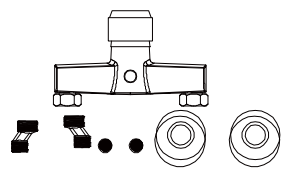
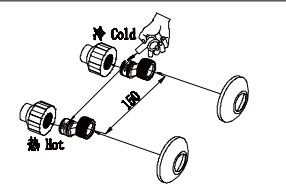
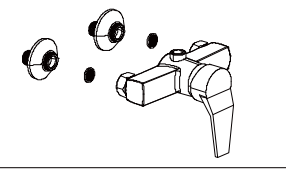
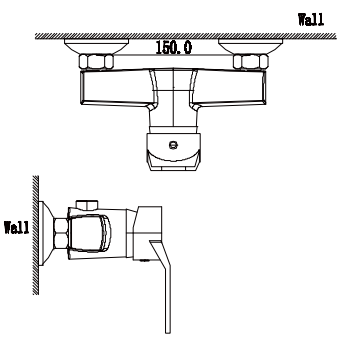
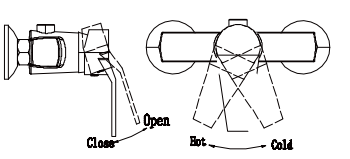
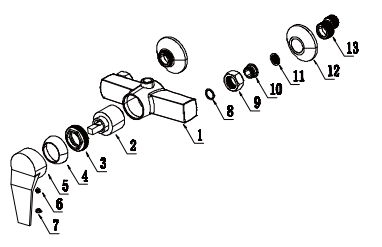


# L0351

安装之前		Before installation					
<p>所有的资料是随最新的产品资料编写而成。                      本公司保留任何权利不经通知即可改变产品特性, 包括此产品可获专利的权利。                      说明书包括重要的安装, 保养及清洁方面的内容, 请仔细阅读及遵照指导。</p> <p>注意事项:                      1. 安装前请冲洗供水管以清除管道中的杂质。                      2. 检查供水管有无损坏, 需安装, 进行替换。                      3. 遵守当地管路安装条例。</p>		<p>All information is based on the latest product information. We're sanitary ware Co., Ltd reserves the right to change the product features, packaging or type of offering without notice at any time.                      Instructions include important installation, maintenance and cleaning aspects. Please submit these information to the user for reading.</p> <p>NOTES:                      1. Flush the water supply pipes thoroughly to remove debris.                      2. Inspect the supply pipes if broken or not. If necessary, please replace it.                      3. Comply local plumbing codes.</p>					
产品包装部件		Product packaging spare parts					
							
安装步骤		Installation steps					
							
							
安装尺寸		Installation dimension					
							
使用说明		Instructions					
<p>开关龙头及冷热水操作如下图所示</p>		<p>Faucet Switch and cold and hot water operation are shown below.</p>					
							
零件图		Part drawing					
							
序号	名称	序号	名称	Number	Name	Number	Name
1	主体	8	密封圈	1	Faucet body	8	Seal ring
2	冷热水阀芯	9	螺帽	2	hot and cold cartridge	9	Screw Nuts
3	压帽	10	进水接头	3	Pressing cap	10	water inlet joints
4	装饰罩	11	滤网垫片	4	Decoration cover	11	Rubber Gasket With Mesh
5	手轮	12	装饰罩	5	handwheel	12	Decoration cover
6	铜紧螺丝	13	接头	6	screw	13	Joints
7	装饰点			7	Decorative point		