

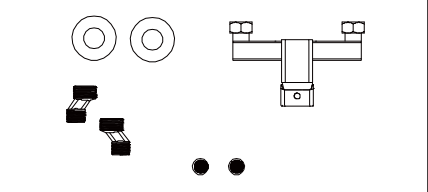
L1951

安装之前 Before installation

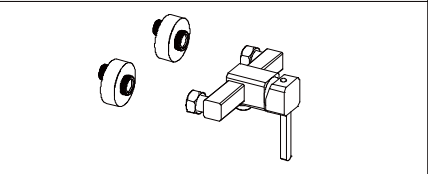
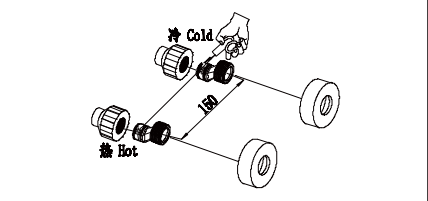
所有资料是随最新的产品资料编写而成。
 本公司保留任何权利不经通知即可改变产品特性，包括此产品可供应型的权利。
 说明书包括重要的安装、保养及清洁方面的内容，请仔细阅读并妥善保管。
 注意事项：
 1. 安装前请冲洗供水管以清除管道中的杂质。
 2. 检查供水管有无损坏，如有需，进行替换。
 3. 遵守当地管路安装系统。

All information is based on the latest product information. Weye sanitary ware Co., Ltd reserves the right to change the product features, packaging or type of offering without notice at any time.
 Instructions include important installation, maintenance and cleaning aspects. Please submit these information to the user for reading.
 NOTES:
 1. Flush the water supply pipes thoroughly to remove debris.
 2. Inspect the supply pipes to be broken or not. If necessary, please replace it.
 3. Comply local plumbing codes.

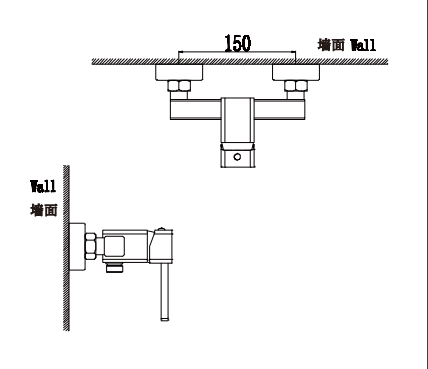
产品包装部件 Product packaging spare parts



安装步骤 Installation steps

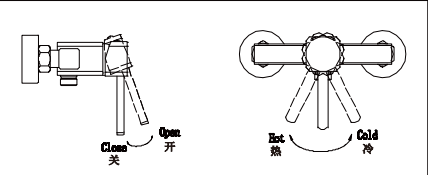


安装尺寸 Installation dimension

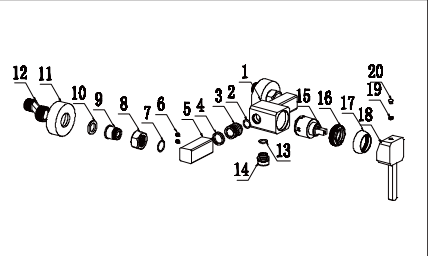


使用说明 Instructions

开关龙头及冷热水操作如下图所示
 Faucet Switch and cold and hot water operation are shown below.



零件图 Part drawing



| 序号 | 名称 | 序号 | 名称 | Number | Name | Number | Name |
|----|------|----|------|--------|-------------------------|--------|--------------------|
| 1 | 主体 | 11 | 装饰罩 | 1 | Faucet body | 11 | Decoration cover |
| 2 | O型圈 | 12 | 接头 | 2 | O-ring | 12 | Joints |
| 3 | 进水接口 | 13 | O型圈 | 3 | water inlet joints | 13 | O-ring |
| 4 | 密封圈 | 14 | 出水接头 | 4 | Seal ring | 14 | water outlet joint |
| 5 | 主体 | 15 | 开关阀芯 | 5 | Faucet body | 15 | Switch cartridge |
| 6 | 锁紧螺丝 | 16 | 压帽 | 6 | screw | 16 | Pressing cap |
| 7 | O型圈 | 17 | 装饰盖 | 7 | O-ring | 17 | Decoration cover |
| 8 | 螺帽 | 18 | 手柄 | 8 | Screw Nuts | 18 | handle |
| 9 | 进水接头 | 19 | 锁紧螺丝 | 9 | water inlet joints | 19 | screw |
| 10 | 滤网垫片 | 20 | 装饰点 | 10 | Rubber Gasket With Mesh | 20 | Decorative point |